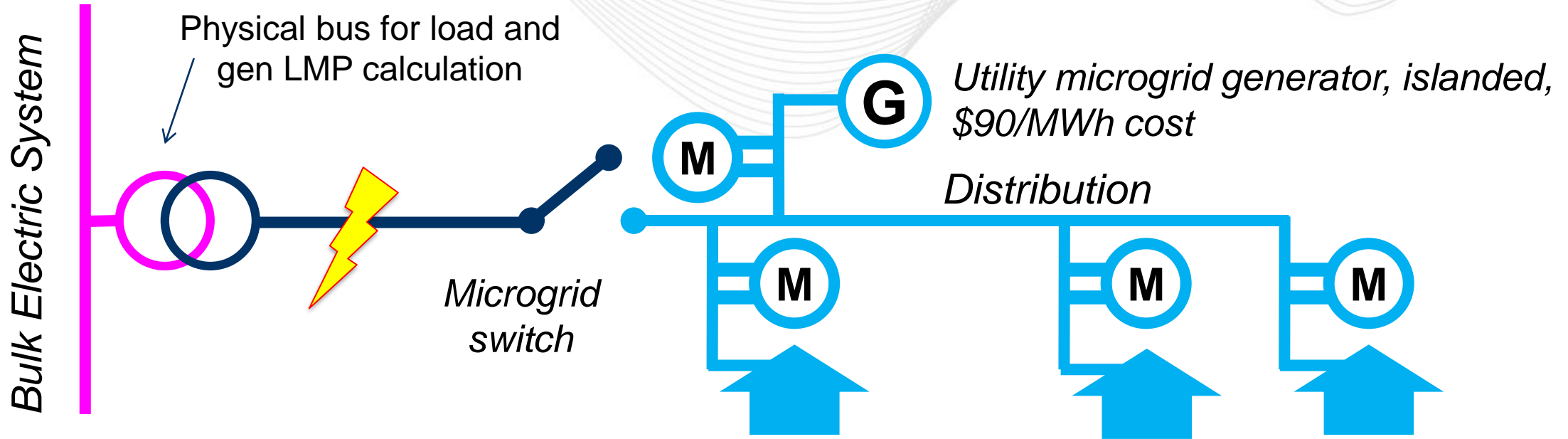




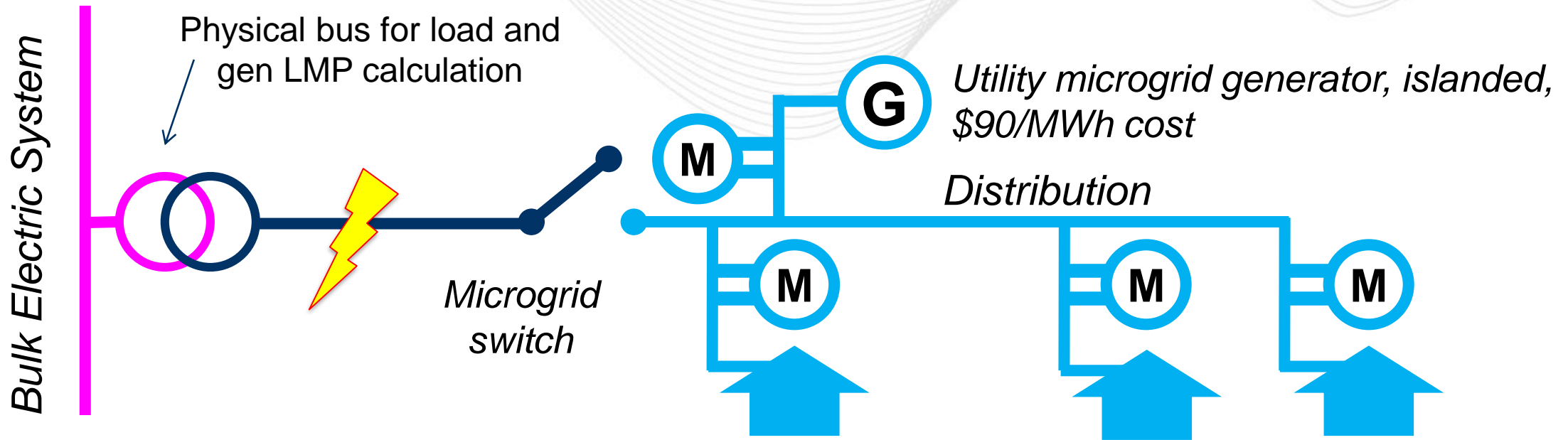
Utility Microgrid Islanding and PJM Energy Settlements

Andrew Levitt, Applied Innovation
September 9, 2019
Distributed Energy Resources
Subcommittee



- Zone load outside microgrid: 98 MWh
- Load and gen inside microgrid: 2 MWh
- LMP at all load and gen buses in zone: \$50

- Zone load payment to PJM energy market: \$4,900
- Microgrid load payment to PJM energy market: \$100
- PJM energy market payment to microgrid generator: \$100
- Ops cost of microgrid generator: \$180
- Generator uplift (charged to TO): \$80



- Zone load outside microgrid: 98 MWh
- Load and gen inside microgrid: 2 MWh
- LMP at all load and gen buses in zone: \$500

- Zone load payment to PJM energy market: \$49,000
- Microgrid load payment to PJM energy market: \$1,000
- PJM energy market payment to microgrid generator: \$1,000
- Ops cost of microgrid generator: \$180
- Generator uplift (charged to TO): \$0