



Public Distribution Microgrid Business Rules

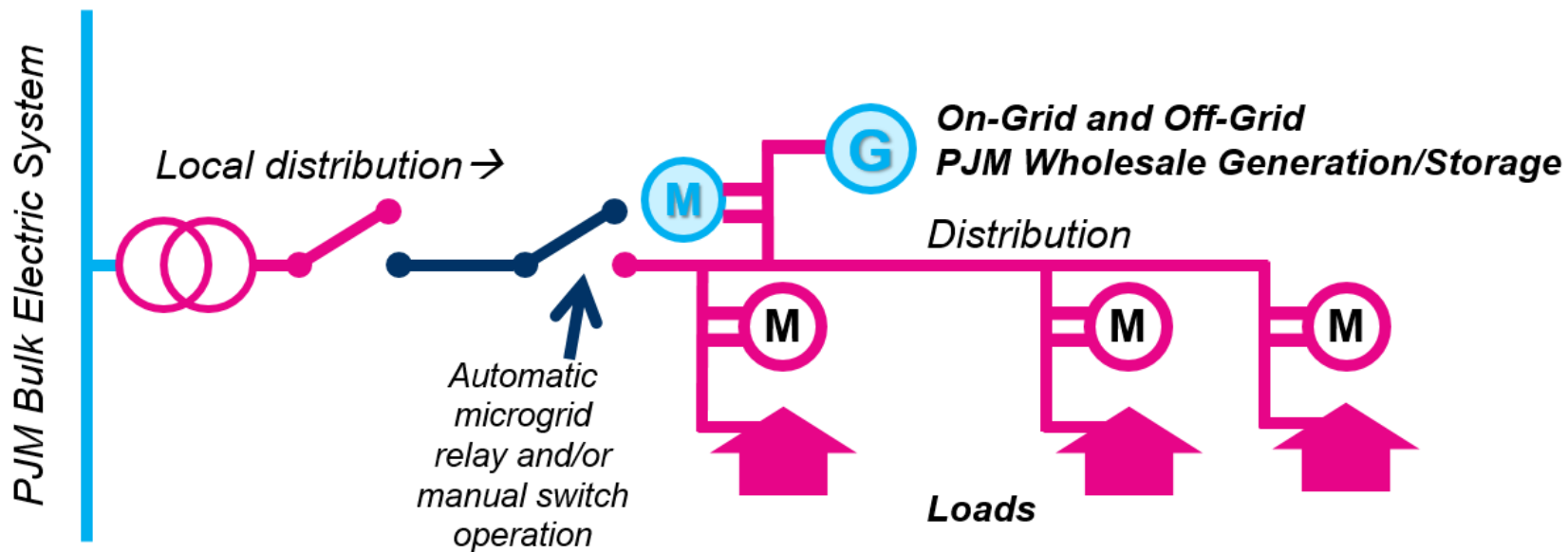
Natalie Tacka
Engineer, Applied Innovation

Market & Reliability Committee
December 17, 2020

- Single package on Public Distribution Microgrid Business Rules through DER & Inverter-Based Resources Subcommittee

Stakeholder Body	NOV	DEC	JAN
DIRS	11/02 – review draft language		
SOS	11/02 – first read	11/30 – endorsement	
OC	11/06 – first read	12/03 – endorsement	
MIC	11/05 – first read	12/02 – endorsement	
MRC		12/17 – first read	1/27/2021 – endorsement

- A **microgrid** is a system of generation + load that can run on-grid or off-grid.
- A Public Distribution Microgrid is **operated by the distribution utility** and uses **public utility distribution wires** to serve load during islanding.
- A Public Distribution Microgrid Generator is a **PJM wholesale generator** capable of operating while connected to or islanded from the broader grid.
- The Electric Distribution Company determines if the Public Distribution Microgrid is **wholesale or retail when islanded**.





Package Summary & Impacted Manuals

Manual Language

Components

M-14D, Section 4.2.2

- New table row for telemetry requirements

M-14D, Appendix B: Public Distribution
Microgrid Business Rules

- Definitions
- Provisions for operations in island mode
 - Telemetry requirements
 - Notification requirements
 - Outage reporting

M-14D, Appendix C: Voluntary
Guideline on Public Distribution
Microgrid Operations

- Reasons islanding should and should not occur

M-11, Section 2.3.3.5

- Provisions for reflecting islanded condition in resource availability for Energy and Ancillary Services

M-18, Section 8.4A

- Clarification for PAI treatment of PDM Generators that are Generation Capacity Resources

Detailed proposal presentation from DER & Inverter-Based Resources Subcommittee: <https://www.pjm.com/-/media/committees-groups/subcommittees/dirs/2020/20200803/20200803-item-10-public-distribution-microgrids-pjm-proposal-overview.ashx>

DIRS Facilitator:
Scott Baker, scott.baker@pjm.com

DIRS Secretary:
Hamad Ahmed, hamad.ahmed@pjm.com

Presenter:
Natalie Tacka, natalie.tacka@pjm.com

Public Distribution Microgrids



Member Hotline

(610) 666 – 8980

(866) 400 – 8980

custsvc@pjm.com